

**DEWALT®**

www.**DEWALT**.eu

**DWE396**  
**DWE397**  
**DWE398**  
**DWE399**

Figure 1

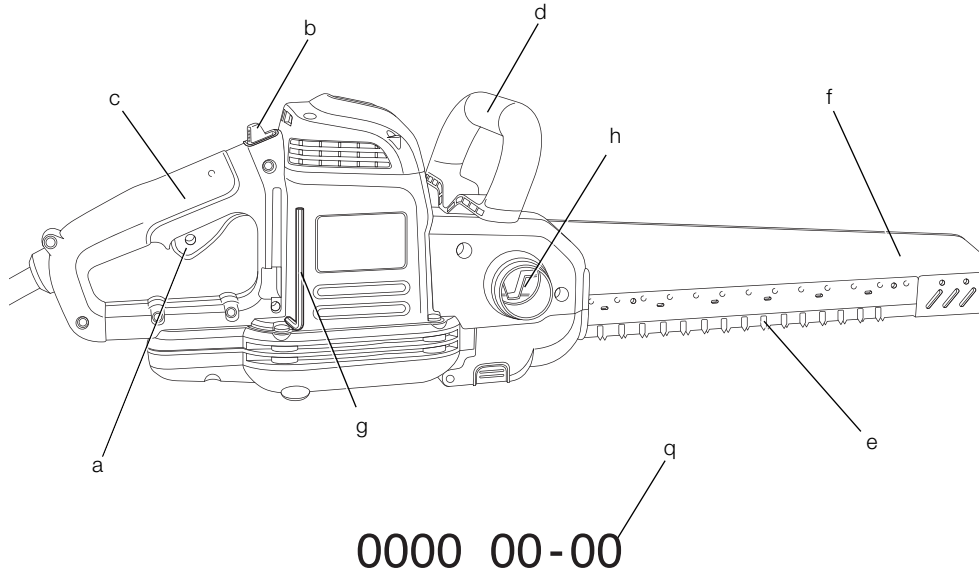


Figure 2

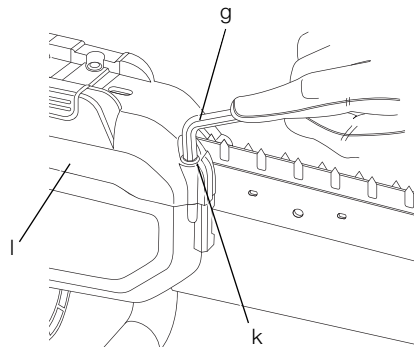


Figure 3

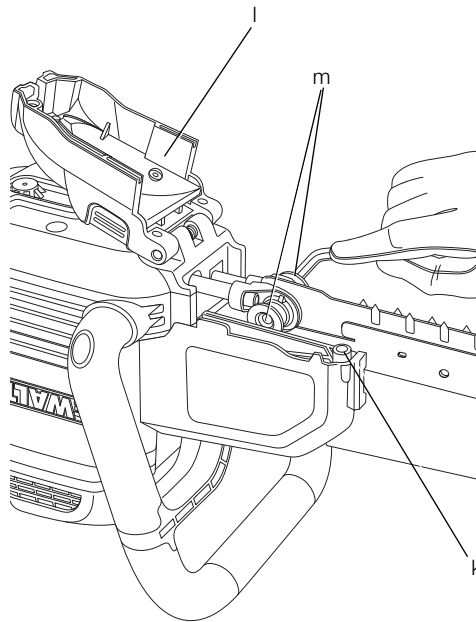


Figure 4

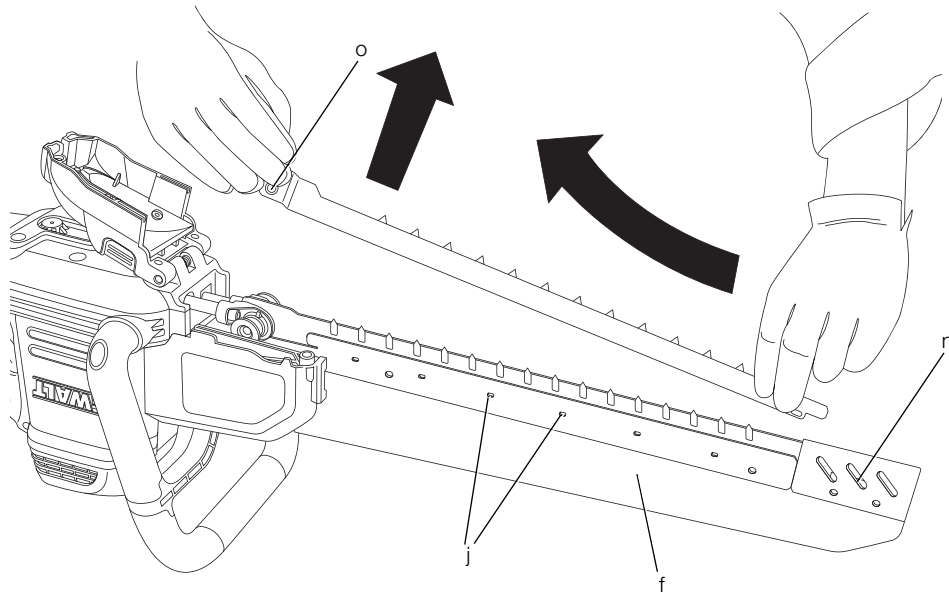


Figure 5

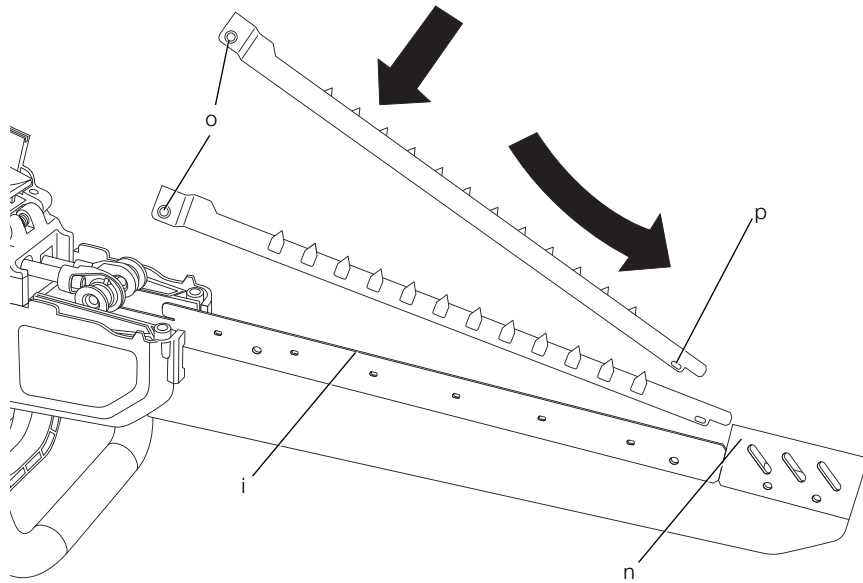
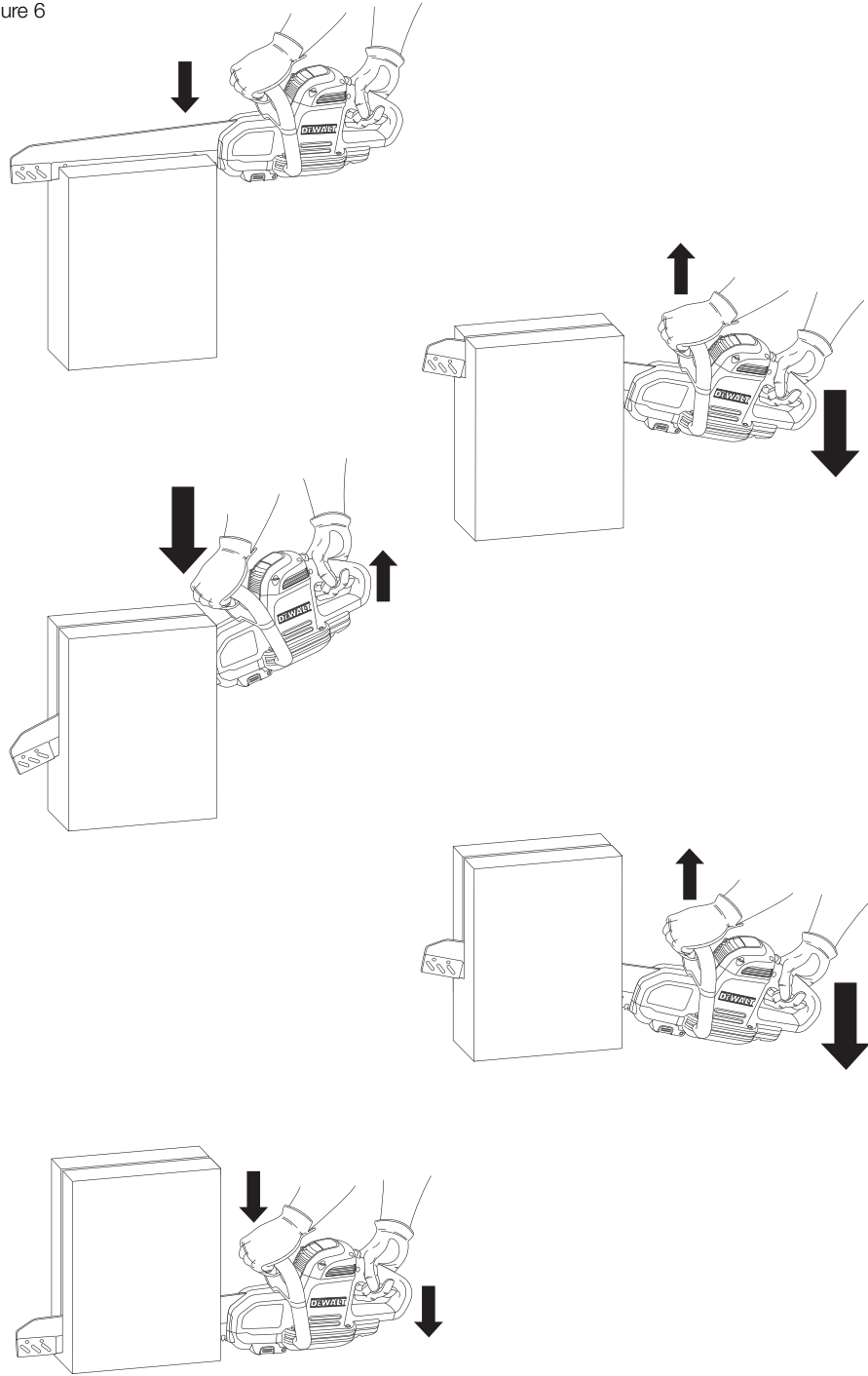


Figure 6



# ALLIGATOR SAW

## DWE396, DWE397, DWE398, DWE399

### Congratulations!

You have chosen a DEWALT tool. Years of experience, thorough product development and innovation make DEWALT one of the most reliable partners for professional power tool users.

### Technical Data

		DWE396	DWE397	DWE398	DWE399
Voltage	V	230	230	230	230
UK & Ireland	V	230/115	230/115	230/115	230/115
Type		1	1	1	1
Power input	W	1,600	1,700	1,700	1,700
No load speed	min <sup>-1</sup>	3,000	3,000	3,000	3,000
Stroke length	mm	40	40	40	40
Cutting length	mm	295	430	430	430
Cord length	m	4.0	4.0	4.0	4.0
Weight	kg	5.3	5.5	5.5	5.5
<hr/>					
L <sub>PA</sub> (sound pressure)	dB(A)	95	95	95	95
K <sub>PA</sub> (sound pressure uncertainty)	dB(A)	3.0	3.0	3.0	3.0
L <sub>WA</sub> (sound power)	dB(A)	104.0	104.0	104.0	104.0
K <sub>WA</sub> (sound power uncertainty)	dB(A)	5.6	5.6	5.6	5.6
<hr/>					
Vibration total values (triax vector sum) determined according to EN 60745:					
Vibration emission value a <sub>h</sub> for DT2974					
Cutting clay building blocks					
a <sub>h,PCB</sub> =	m/s <sup>2</sup>	5.4	5.4	5.4	5.4
Uncertainty K =	m/s <sup>2</sup>	1.5	1.5	1.5	1.5
<hr/>					
Vibration emission value a <sub>h</sub> for DT2372					
Cutting wood/chipboard & plastic					
a <sub>h,VP</sub> =	m/s <sup>2</sup>	5.4	5.4	5.4	5.4
Uncertainty K =	m/s <sup>2</sup>	1.5	1.5	1.5	1.5
<hr/>					
Vibration emission value a <sub>h</sub> for DT2975					
Cutting cellular concrete					
a <sub>h,CC</sub> =	m/s <sup>2</sup>	5.4	5.4	5.4	5.4
Uncertainty K =	m/s <sup>2</sup>	1.5	1.5	1.5	1.5
<hr/>					
Vibration emission value a <sub>h</sub> for DT2979					
Cutting insulation material					
a <sub>h,IM</sub> =	m/s <sup>2</sup>	5.4	5.4	5.4	5.4
Uncertainty K =	m/s <sup>2</sup>	1.5	1.5	1.5	1.5

## ENGLISH

The vibration emission level given in this information sheet has been measured in accordance with a standardised test given in EN 60745 and may be used to compare one tool with another. It may be used for a preliminary assessment of exposure.



**WARNING:** The declared vibration emission level represents the main applications of the tool. However if the tool is used for different applications, with different accessories or poorly maintained, the vibration emission may differ. This may significantly increase the exposure level over the total working period.

An estimation of the level of exposure to vibration should also take into account the times when the tool is switched off or when it is running but not actually doing the job. This may significantly reduce the exposure level over the total working period.

Identify additional safety measures to protect the operator from the effects of vibration such as: maintain the tool and the accessories, keep the hands warm, organisation of work patterns.

Fuses		
Europe	230 V tools	10 Amperes, mains
U.K. & Ireland	230 V tools	13 Amperes, in plugs

## Definitions: Safety Guidelines

The definitions below describe the level of severity for each signal word. Please read the manual and pay attention to these symbols.



**DANGER:** Indicates an imminently hazardous situation which, if not avoided, **will** result in **death or serious injury**.



**WARNING:** Indicates a potentially hazardous situation which, if not avoided, **could** result in **death or serious injury**.



**CAUTION:** Indicates a potentially hazardous situation which, if not avoided, **may** result in **minor or moderate injury**.

**NOTICE:** Indicates a practice **not related to personal injury** which, if not avoided, **may** result in **property damage**.



Denotes risk of electric shock.



Denotes risk of fire.

## EC-Declaration of Conformity

### MACHINERY DIRECTIVE



DWE396, DWE397, DWE398, DWE399

DEWALT declares that these products described under **Technical Data** are in compliance with: 2006/42/EC, EN 60745-1, EN 60745-2-11.

These products also comply with Directive 2004/108/EC and 2011/65/EU. For more information, please contact DEWALT at the following address or refer to the back of the manual.

The undersigned is responsible for compilation of the technical file and makes this declaration on behalf of DEWALT.

Horst Grossmann  
Vice President Engineering and  
Product Development  
DEWALT, Richard-Klinger-Strasse 11,  
D-65510, Idstein, Germany  
01.08.2012



**WARNING:** To reduce the risk of injury, read the instruction manual.

## General Power Tool Safety Warnings



**WARNING! Read all safety warnings and all instructions.** Failure to follow the warnings and instructions may result in electric shock, fire and/or serious injury.

### SAVE ALL WARNINGS AND INSTRUCTIONS FOR FUTURE REFERENCE

The term "power tool" in the warnings refers to your mains-operated (corded) power tool or battery-operated (cordless) power tool.

#### 1) WORK AREA SAFETY

- Keep work area clean and well lit.** Cluttered or dark areas invite accidents.
- Do not operate power tools in explosive atmospheres, such as in the presence of flammable liquids, gases or dust.** Power tools create sparks which may ignite the dust or fumes.

- c) **Keep children and bystanders away while operating a power tool.** Distractions can cause you to lose control.

## 2) ELECTRICAL SAFETY

- a) **Power tool plugs must match the outlet. Never modify the plug in any way. Do not use any adapter plugs with earthed (grounded) power tools.** Unmodified plugs and matching outlets will reduce risk of electric shock.
- b) **Avoid body contact with earthed or grounded surfaces such as pipes, radiators, ranges and refrigerators.** There is an increased risk of electric shock if your body is earthed or grounded.
- c) **Do not expose power tools to rain or wet conditions.** Water entering a power tool will increase the risk of electric shock.
- d) **Do not abuse the cord. Never use the cord for carrying, pulling or unplugging the power tool. Keep cord away from heat, oil, sharp edges or moving parts.** Damaged or entangled cords increase the risk of electric shock.
- e) **When operating a power tool outdoors, use an extension cord suitable for outdoor use.** Use of a cord suitable for outdoor use reduces the risk of electric shock.
- f) **If operating a power tool in a damp location is unavoidable, use a residual current device (RCD) protected supply.** Use of an RCD reduces the risk of electric shock.

## 3) PERSONAL SAFETY

- a) **Stay alert, watch what you are doing and use common sense when operating a power tool. Do not use a power tool while you are tired or under the influence of drugs, alcohol or medication.** A moment of inattention while operating power tools may result in serious personal injury.
- b) **Use personal protective equipment. Always wear eye protection.** Protective equipment such as dust mask, non-skid safety shoes, hard hat, or hearing protection used for appropriate conditions will reduce personal injuries.
- c) **Prevent unintentional starting. Ensure the switch is in the off position before connecting to power source and/or battery pack, picking up or carrying the tool.** Carrying power tools with your finger on the switch or energising power tools that have the switch on invites accidents.
- d) **Remove any adjusting key or wrench before turning the power tool on.** A wrench or a key left attached to a rotating

part of the power tool may result in personal injury.

- e) **Do not overreach. Keep proper footing and balance at all times.** This enables better control of the power tool in unexpected situations.
- f) **Dress properly. Do not wear loose clothing or jewellery. Keep your hair, clothing and gloves away from moving parts.** Loose clothes, jewellery or long hair can be caught in moving parts.
- g) **If devices are provided for the connection of dust extraction and collection facilities, ensure these are connected and properly used.** Use of dust collection can reduce dust-related hazards.

## 4) POWER TOOL USE AND CARE

- a) **Do not force the power tool. Use the correct power tool for your application.** The correct power tool will do the job better and safer at the rate for which it was designed.
- b) **Do not use the power tool if the switch does not turn it on and off.** Any power tool that cannot be controlled with the switch is dangerous and must be repaired.
- c) **Disconnect the plug from the power source and/or the battery pack from the power tool before making any adjustments, changing accessories, or storing power tools.** Such preventive safety measures reduce the risk of starting the power tool accidentally.
- d) **Store idle power tools out of the reach of children and do not allow persons unfamiliar with the power tool or these instructions to operate the power tool.** Power tools are dangerous in the hands of untrained users.
- e) **Maintain power tools. Check for misalignment or binding of moving parts, breakage of parts and any other condition that may affect the power tool's operation. If damaged, have the power tool repaired before use.** Many accidents are caused by poorly maintained power tools.
- f) **Keep cutting tools sharp and clean.** Properly maintained cutting tools with sharp cutting edges are less likely to bind and are easier to control.
- g) **Use the power tool, accessories and tool bits etc., in accordance with these instructions taking into account the working conditions and the work to be performed.** Use of the power tool for operations different from those intended could result in a hazardous situation.

## ENGLISH

### 5) SERVICE

- a) **Have your power tool serviced by a qualified repair person using only identical replacement parts.** This will ensure that the safety of the power tool is maintained.

### Additional Safety Rules for Alligator Saws

- **Hold power tool by insulated gripping surfaces, when performing an operation where the cutting accessory may contact hidden wiring or its own cord.** Cutting accessory contacting a "live" wire may make exposed metal parts of the power tool "live" and could give the operator an electric shock.

#### PLUGGING INTO THE MAINS, SWITCHING ON AND OFF

- Always ensure that the alligator saw is switched OFF before plugging into the mains.
- After switching OFF, never attempt to stop the saw blades with your fingers.

Never put the saw down on a table or work bench unless switched OFF. The saw blades will keep running up to 10 seconds after the machine has been switched OFF.

#### WHEN SAWING

- Remove all nails and metal objects from the workpiece before starting work.
- Wherever possible, use clamps and vices to fasten the workpiece securely.
- Do not attempt to saw extremely small workpieces.
- Do not bend too far forward. Make sure that you always stand firmly, particularly on scaffolding and ladders.
- Always hold the saw with both hands.
- Do not use the saw for cutting curves and pockets.

#### CHECKING AND CHANGING THE SAW BLADES

- Unplug the tool before cleaning or changing the saw blades.
- Only use DEWALT saw blades conforming to the specifications contained in these operating instructions.
- Only sharp saw blades in perfect working condition should be used; cracked or bent saw blades should be discarded and replaced at once.
- Always use suitable gloves when handling the saw blades and rough work materials.

### Residual Risks

In spite of the application of the relevant safety regulations and the implementation of safety devices, certain residual risks cannot be avoided. These are:

- Impairment of hearing.
- Risk of personal injury due flying particles.
- Risk of burns due to accessories becoming hot during operation.
- Risk of personal injury due to prolonged use.

### Markings on Tool

The following pictograms are shown on the tool:



Read instruction manual before use.



Wear ear protection.



Wear eye protection.



Do not expose the power tool to humidity.



Do not use the power tool if the main cable is damaged.

#### DATE CODE POSITION (FIG. 1)

The Date Code (q), which also includes the year of manufacture, is printed into the housing.

Example:

2012 XX XX

Year of Manufacture

### Package Contents

The package contains:

- 1 Alligator saw
- 1 TCT saw blade set for low density building block (DWE396, DWE397)
- 1 TCT saw blade set for medium density building block (DWE398)
- 1 TCT saw blade set for cellular concrete and plaster board (DWE399)
- 1 Hex key
- 1 Cutting slot scraper (DWE399 only)
- 1 Instruction manual
- 1 Exploded drawing



- Check for damage to the tool, parts or accessories which may have occurred during transport.
- Take the time to thoroughly read and understand this manual prior to operation.

### Description (fig. 1)



**WARNING:** Never modify the power tool or any part of it. Damage or personal injury could result.

- On/off trigger switch
- Lock-off button
- Rear grip handle
- Front handle
- Saw blades
- Bar
- Hex key
- Dust port

### INTENDED USE

Your DEWALT alligator saw DWE396, DWE397, DWE398 and DWE399 has been designed for professional sawing applications of clay building blocks, cellular concrete, wood, plastic and insulation materials with suitable saw blade.

**DO NOT** use under wet conditions or in presence of flammable liquids or gases.

**DO NOT** let children come into contact with the tool. Supervision is required when inexperienced operators use this tool.

### Electrical Safety

The electric motor has been designed for one voltage only. Always check that the power supply corresponds to the voltage on the rating plate.



Your DEWALT tool is double insulated in accordance with EN 60745; therefore no earth wire is required.

If the supply cord is damaged, it must be replaced by a specially prepared cord available through the DEWALT service organisation.

### Mains Plug Replacement (U.K. & Ireland Only)

If a new mains plug needs to be fitted:

- Safely dispose of the old plug.
- Connect the brown lead to the live terminal in the plug.
- Connect the blue lead to the neutral terminal.



**WARNING:** No connection is to be made to the earth terminal.

Follow the fitting instructions supplied with good quality plugs. Recommended fuse: 13 A.

### Using an Extension Cable

If an extension cable is required, use an approved 3-core extension cable suitable for the power input of this tool (see technical data). The minimum conductor size is 1.5 mm<sup>2</sup>; the maximum length is 30 m.

When using a cable reel, always unwind the cable completely.

### ASSEMBLY AND ADJUSTMENTS



**WARNING:** To reduce the risk of injury, turn unit off and disconnect machine from power source before installing and removing accessories, before adjusting or changing set-ups or when making repairs. Be sure the trigger switch is in the OFF position. An accidental start-up can cause injury.

### Replacing the Saw Blades

#### REMOVING THE SAW BLADES (FIG. 2-5)

1. Place the tool upside down on a flat, stable work surface.
2. Loosen the gearcase cap screw (k) with the hex key (g). When loosened, the gearcase cap (l) should release and spring open.
3. With the hex key (g), loosen both of the blade setting screws (m). The screws will be held in place by the screw clips.
4. Carefully pull the saw-blade-end up until it is disengaged from and clear of the Blade-Clamp-system.
5. Pull the saw blade back and out of the front guard (n) and take it off of the bar (f).
6. Repeat this procedure for the other saw blade.

#### FITTING THE SAW BLADES (FIG. 4)

1. Slide one saw-blade into the blade guide slot (i) making sure that the end with the slotted hole (p) fits into the front guard (n).
2. Slide the back of the saw blade down until the threaded hole (o) aligns with the blade setting screw (m).
3. Repeat this procedure for the other saw blade.
4. Tighten both saw blade setting screws (m) securely by pressing and turning simultaneously with the short end of the hex key (g).

## ENGLISH

5. Close the gearcase cap (l) and tighten the gearcase cap screw.



**WARNING:** Before operation let the saw blades run freely for approx. 20 s.

## Saw Blades

Cat. No.	Material to be cut	Recommended saw blade type	
DWE396	Rough wood	HSS	DT2970
	Fine wood	HSS	DT2971
	Fine wood	TCT	DT2972
	Low density building block	TCT T12	DT2973
	Medium density building block	TCT T20	DT2977
DWE397	Rough wood	HSS	DT2978
	Low density building block	TCT T12	DT2974
	Medium density building block	TCT T20	DT2976
	Insulation materials	HSS	DT2979
DWE398	Cellular concrete	TCT 12	DT2975
	Rough wood	HSS	DT2978
	Low density building block	TCT T12	DT2974
	Medium density building block	TCT T20	DT2976
DWE399	Insulation materials	HSS	DT2979
	Cellular concrete	TCT 12	DT2975
	Rough wood	HSS	DT2978
	Low density building block	TCT T12	DT2974
DWE399	Medium density building block	TCT T20	DT2976
	Insulation materials	HSS	DT2979
	Cellular concrete	TCT 12	DT2975

## Prior to Operation (fig. 1)

- Mount the appropriate type of saw blade.
- Check that the tool is running properly and can perform all its functions. Make sure that the bar (f) is still straight and the saw blades (e) and the housing are undamaged.

## OPERATION

### Instructions for Use



**WARNING:** Always observe the safety instructions and applicable regulations.



**WARNING:** To reduce the risk of serious personal injury, turn tool off and disconnect tool from power source before making any adjustments or removing/installing attachments or accessories.



**WARNING:**

- Ensure the material to be sawn is secured in place.

- Apply only a gentle pressure to the tool and do not exert side pressure on the saw blade.
- Avoid overloading.



**WARNING:** For applications where mineral dust or hardwood is emitted due to the work process the machine shall be connected to a suitable dust extraction system.

## Proper Hand Position (fig. 1, 6)



**WARNING:** To reduce the risk of serious personal injury, **ALWAYS** use proper hand position as shown.



**WARNING:** To reduce the risk of serious personal injury, **ALWAYS** hold securely in anticipation of a sudden reaction.

Proper hand position requires one hand on the front handle (d) with the other hand on the rear grip handle (c).

## Switching On and Off (fig. 1)

For safety reasons the ON/OFF switch (a) is equipped with a lock-off button (b).

1. Push the lock-off button (b) to unlock the tool.
2. To run the tool, press the ON/OFF switch (a). As soon as the ON/OFF switch is released the lock-off switch is automatically activated to prevent unintended starting.
3. Always switch off the tool before unplugging.

## Sawing (fig. 1, 3, 4, 6)

**NOTICE:** Do not use the saw for cutting curves or pockets. Make sure the bar end protrudes from the workpiece.

For long, straight cuts first draw a line on the workpiece and follow the line.

Make downward cuts only. Avoid cutting earth as this will blunt the saw blades very quickly.

When using a saw horse always cut on the outside of the saw horse arms.

1. Clamp the workpiece on one side only to prevent the bar from jamming in the workpiece. Should this happen, ease open the cut with wedges to relieve the strain on the blade. Do not try to wrench the saw free.
2. Hold your DEWALT power tool by the front handle (d) and the rear grip handle (c) to guide the saw properly.

- Switch the tool on before placing blade in contact with the workpiece. Refer to **Switching On and Off** instruction in this manual.



**WARNING:** Apply only a gentle pressure to the tool and do not exert side pressure on the saw blade.

- After blades have engaged the workpiece, guide the tool back and forth in a rotating, see saw like motion as the blades cut down through the workpiece. Refer to Figure 6.

- Once cut is complete, release the trigger switch.

To increase performance and lifetime of non-painted saw blades, regularly apply oil to the blades and in the oil holes (j) (every 15–30 min.). Do not lubricate painted blades.

Regularly check the saw blade setting screws (m).

### Sawing in Cellular Concrete, Low Density and Medium Density Building Blocks (fig. 5)



**WARNING:** Cellular concrete, low density and medium density building blocks contain lime and quartz sand.

After use to guarantee optimum performance, the saw blades, the bar and the saw blade guide slot (j) must be thoroughly cleaned, using the cutting slot scraper. (DWE399 only)

### MAINTENANCE

Your DEWALT power tool has been designed to operate over a long period of time with a minimum of maintenance. Continuous satisfactory operation depends upon proper tool care and regular cleaning.



**WARNING: To reduce the risk of injury, turn unit off and disconnect machine from power source before installing and removing accessories, before adjusting or changing set-ups or when making repairs.** Be sure the trigger switch is in the OFF position. An accidental start-up can cause injury.



### Lubrication

- Lubricate the saw blades (if fitted with non-painted blades), the bar and the saw blade guide slot upon cleaning. Do not lubricate painted blades.

- If the tool will not be used for a long period of time, coat the non-painted saw blades and fill the oil holes with a little oil (e.g., machine oil) Do not oil painted blades.

Let the tool run for a few seconds to enable the oil to reach all parts. This protects the tool from corrosion.



### Cleaning



**WARNING:** Blow dirt and dust out of the main housing with dry air as often as dirt is seen collecting in and around the air vents. Wear approved eye protection and approved dust mask when performing this procedure.



**WARNING:** Never use solvents or other harsh chemicals for cleaning the tool. These chemicals may weaken the materials used in these parts. Use a cloth dampened only with water and mild soap. Never let any liquid get inside the tool; never immerse any part of the tool into a liquid.

Regularly remove the saw blades after cutting cellular concrete or thermal building blocks. Thoroughly clean the saw blades and the bar. To clean the saw blade guide slot use the scraper supplied with the tool. (DWE399 ONLY)

### Optional Accessories



**WARNING:** Since accessories, other than those offered by DEWALT, have not been tested with this product, use of such accessories with this tool could be hazardous. To reduce the risk of injury, only DEWALT, recommended accessories should be used with this product.

Consult your dealer for further information on the appropriate accessories.

### Protecting the Environment



Separate collection. This product must not be disposed of with normal household waste.

Should you find one day that your DEWALT product needs replacement, or if it is of no further use to you, do not dispose of it with household waste. Make this product available for separate collection.

## ENGLISH

---



Separate collection of used products and packaging allows materials to be recycled and used again. Re-use of recycled materials helps prevent environmental pollution and reduces the demand for raw materials.

Local regulations may provide for separate collection of electrical products from the household, at municipal waste sites or by the retailer when you purchase a new product.

DEWALT provides a facility for the collection and recycling of DEWALT products once they have reached the end of their working life. To take advantage of this service please return your product to any authorised repair agent who will collect them on our behalf.

You can check the location of your nearest authorised repair agent by contacting your local DEWALT office at the address indicated in this manual. Alternatively, a list of authorised DEWALT repair agents and full details of our after-sales service and contacts are available on the Internet at: **[www.2helpU.com](http://www.2helpU.com)**.

## GUARANTEE

DEWALT is confident of the quality of its products and offers an outstanding guarantee for professional users of the product. This guarantee statement is in addition to and in no way prejudices your contractual rights as a professional user or your statutory rights as a private non-professional user. The guarantee is valid within the territories of the Member States of the European Union and the European Free Trade Area.

### • 30 DAY NO RISK SATISFACTION GUARANTEE •

If you are not completely satisfied with the performance of your DEWALT tool, simply return it within 30 days, complete with all original components, as purchased, to the point of purchase, for a full refund or exchange. The product must have been subject to fair wear and tear and proof of purchase must be produced.

### • ONE YEAR FREE SERVICE CONTRACT •

If you need maintenance or service for your DEWALT tool, in the 12 months following purchase, you are entitled to one service free of charge. It will be undertaken free of charge at an authorised DEWALT repair agent. Proof of purchase must be produced. Includes labour. Excludes accessories and spare parts unless failed under warranty.

### • ONE YEAR FULL WARRANTY •

If your DEWALT product becomes defective due to faulty materials or workmanship within 12 months from the date of purchase, DEWALT guarantees to replace all defective parts free of charge or – at our discretion – replace the unit free of charge provided that:

- The product has not been misused;
- The product has been subject to fair wear and tear;
- Repairs have not been attempted by unauthorised persons;
- Proof of purchase is produced;
- The product is returned complete with all original components.

If you wish to make a claim, contact your seller or check the location of your nearest authorised DEWALT repair agent in the DEWALT catalogue or contact your DEWALT office at the address indicated in this manual. A list of authorised DEWALT repair agents and full details of our after-sales service is available on the Internet at: [www.2helpU.com](http://www.2helpU.com).